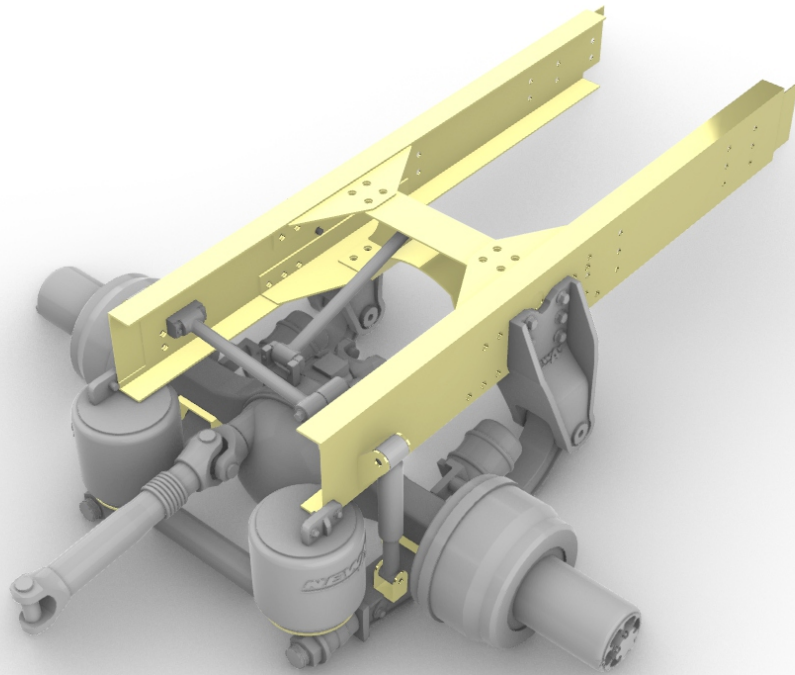


A&N Model Trucks



Tri-drive AD-390 suspension
(sleeper cab)

Made in Latvia

Tri-drive AD-390 suspension (sleeper cab)

Warning!

Read carefully this instruction and please follow it during assembling, otherwise you could face problems with assembling the model.


Photo-etched parts have sharp edges, please be careful.

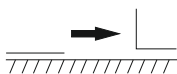
This model kit contains very small parts and is not suitable for children.

This model kit is for advanced modellers only!

Symbols:

 - glue parts;


 - do not glue parts;

 - bend parts;

 - attention;

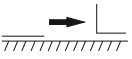
 - moving parts;

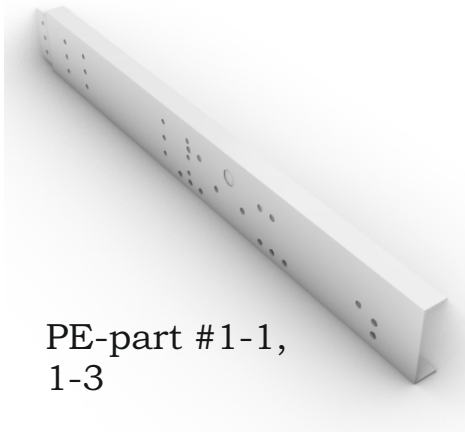
 - your choice;

 - cut;

A1 - apertures' number;

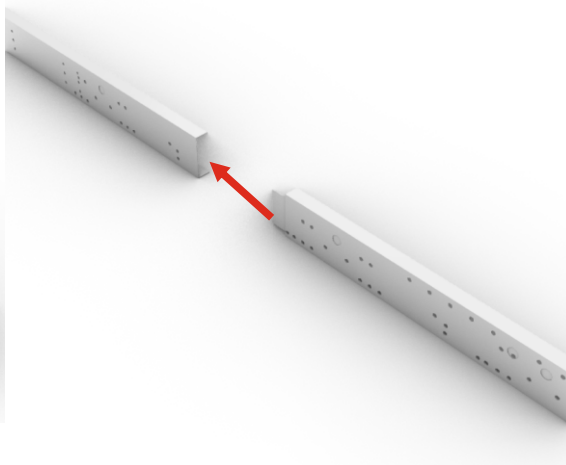
Tri-drive AD-390 suspension (sleeper cab)

1. 




PE-part #1-1,
1-3

2. 

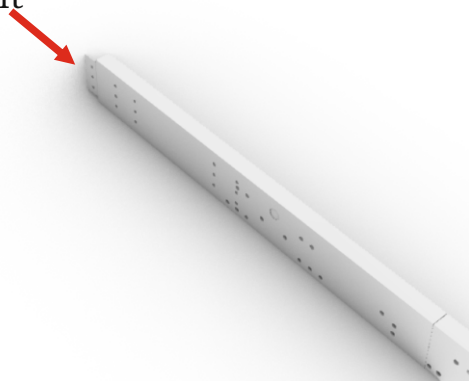


3.

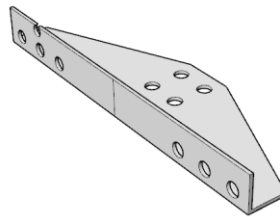
Proceed on steps 2-5
of chassis kit
assembling instruction.

4. 


PE-part #3 from chassis
kit

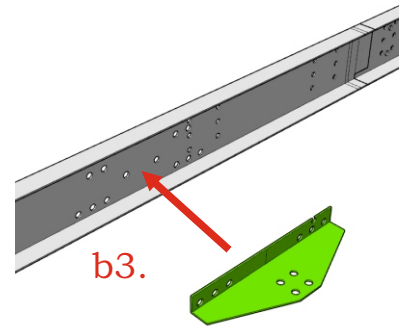



5. 

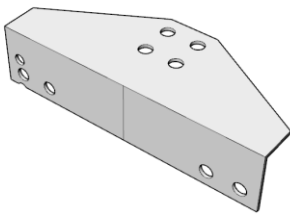


PE-part #1-6

6. 

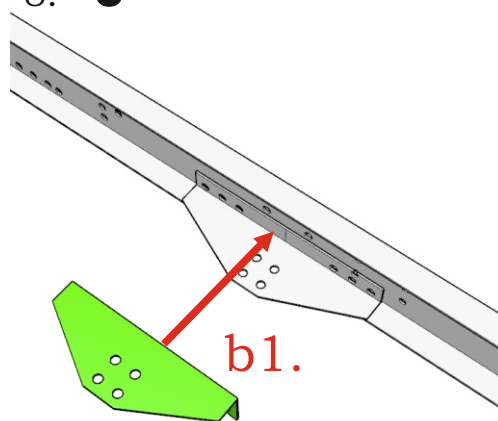


7. 



PE-part #1-8

8. 

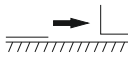


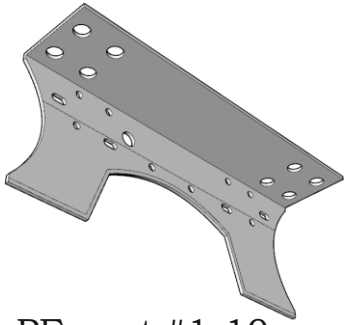
9.

Proceed on steps 7-16
of chassis kit
assembling instruction.

Then repeat for right side.

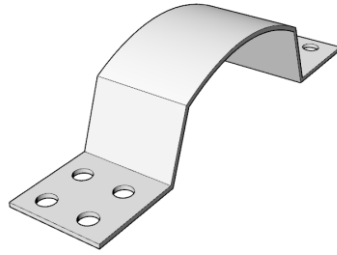
Tri-drive AD-390 suspension (sleeper cab)

10. 




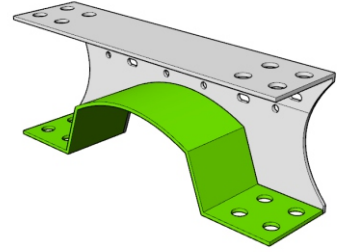
PE-part #1-10

11. 

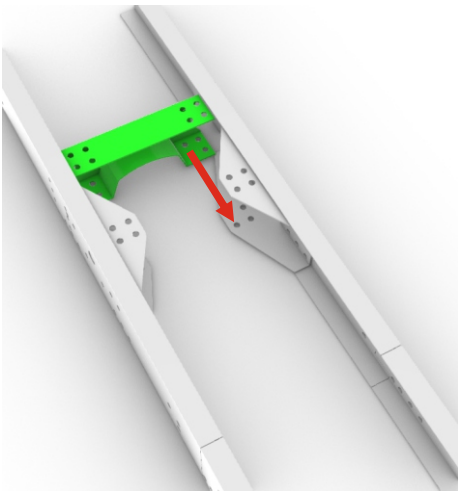


PE-part #1-12

12. 

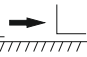


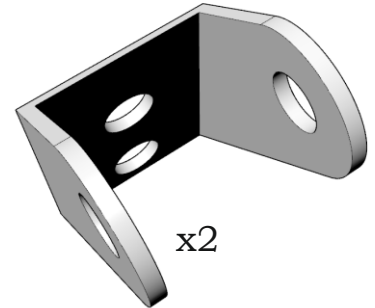
13. 



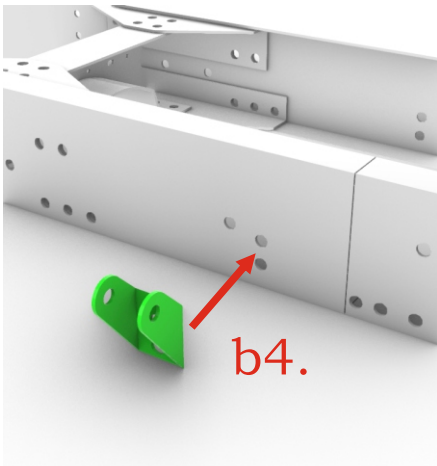
14.


Proceed on steps 18-34
of chassis kit
assembling instruction.

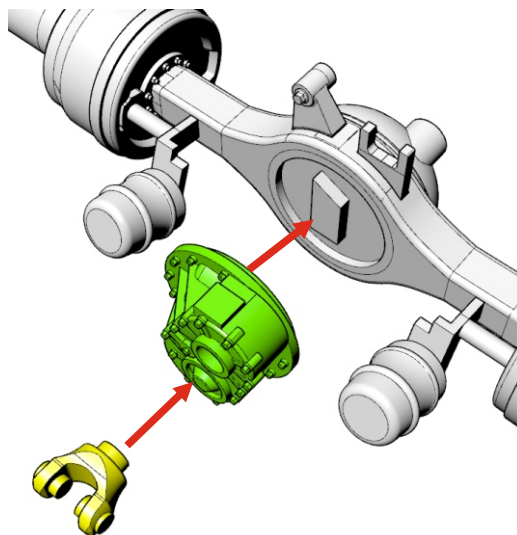
15. 
PE-part #1-13




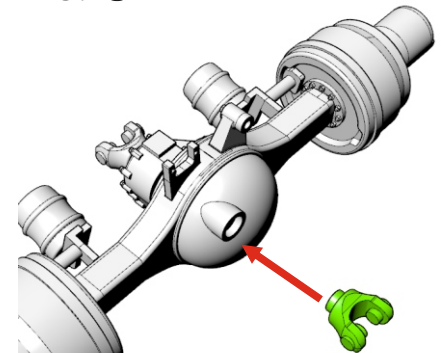
16.  x2



17. 

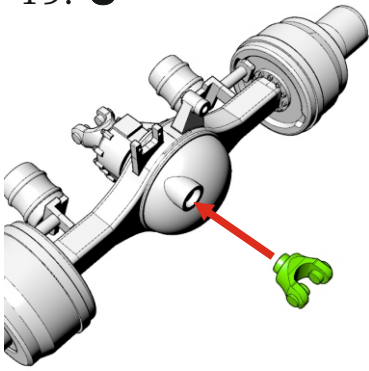


18. 



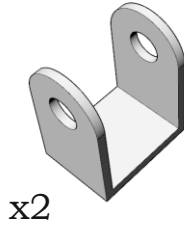
Tri-drive AD-390 suspension (sleeper cab)

19.

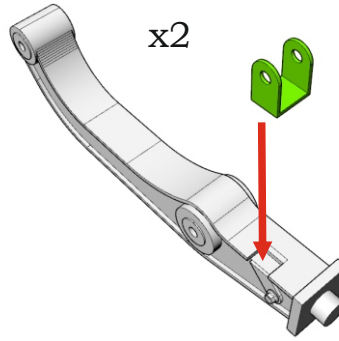


20.

PE-part #1-14

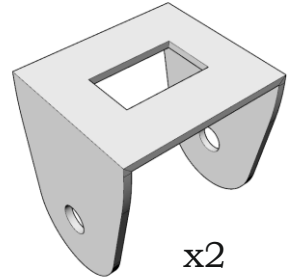


21.

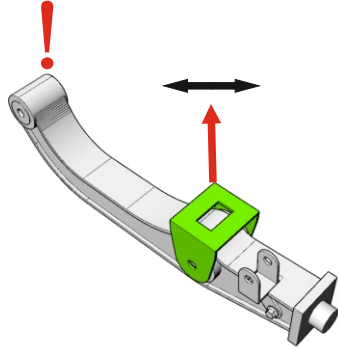
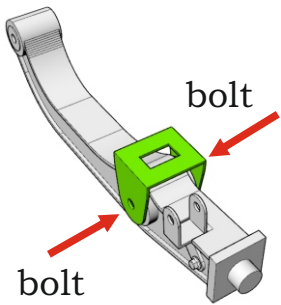


22.

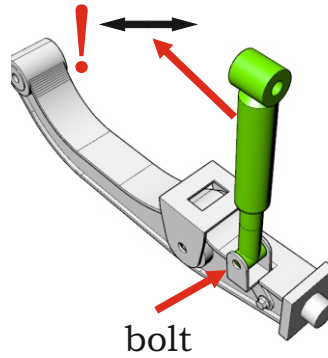
PE-part #1-9



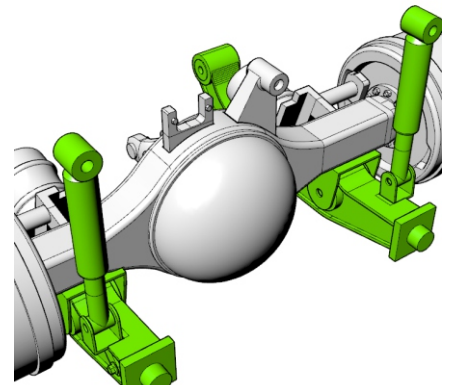
23. x2



24. x2

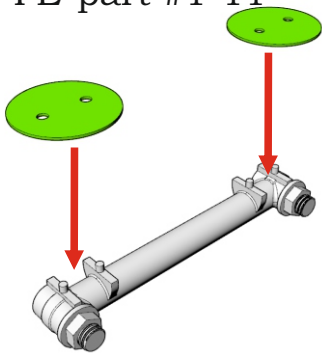


25.

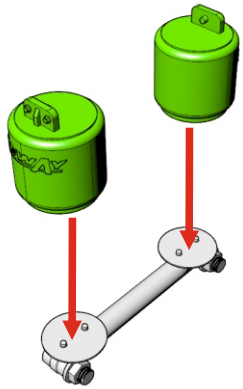


26.

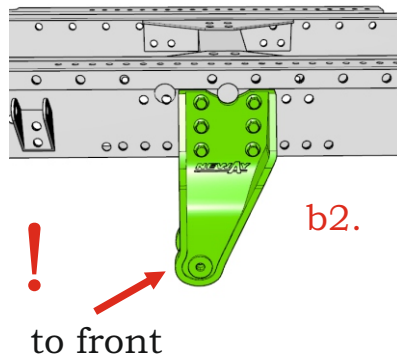
PE-part #1-11



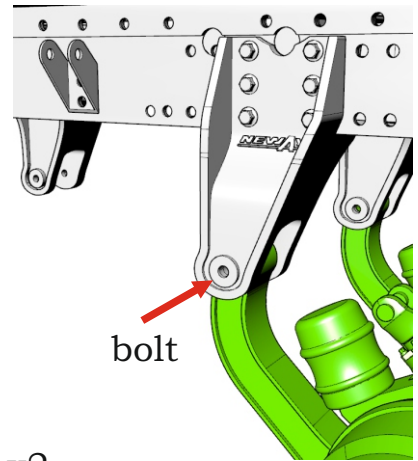
27.



28. x2

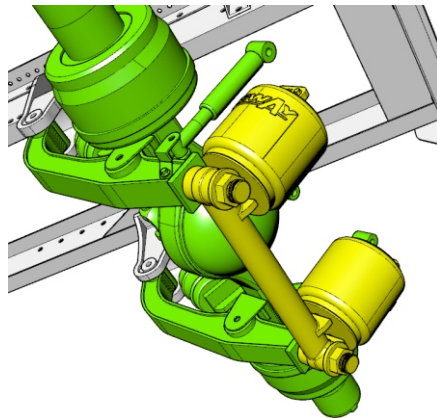


29. x4

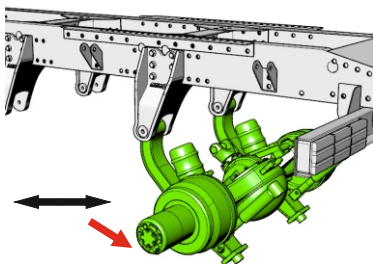
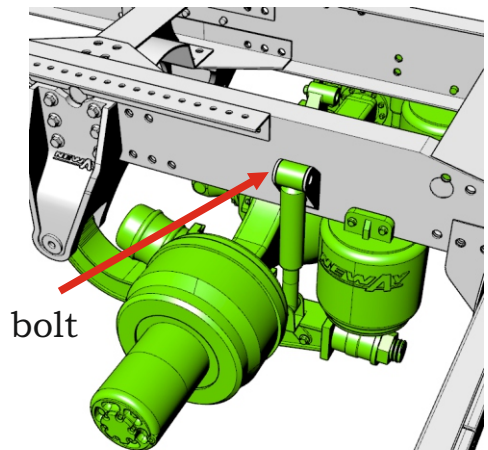


!

30. x2



31. x2



Tri-drive AD-390 suspension (sleeper cab)

32.

Proceed on step 36
of chassis kit
assembling instruction.