

A&N Model Trucks



Bullbar + stoneguard for Aussie T610 SAR truck.

Additional kit, 1/24

Bullbar + stoneguard for Aussie T610 SAR truck

Warning!

Read carefully this instruction and please follow it during assembling, otherwise you could face problems with assembling the model.


Photo-etched parts have sharp edges, please be careful.


This model kit contains very small parts and is **not suitable for children**.

This model kit is for advanced modellers only!

You can download this instruction as PDF-file at the our site at «Instructions» section, or use QR-code on the last page.

Symbols:

 - glue parts;

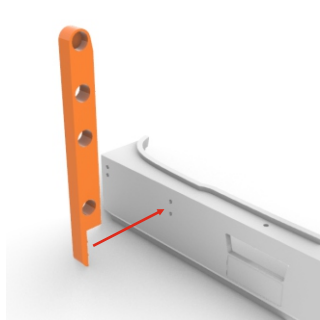
 - do not glue parts;

 - bend parts;

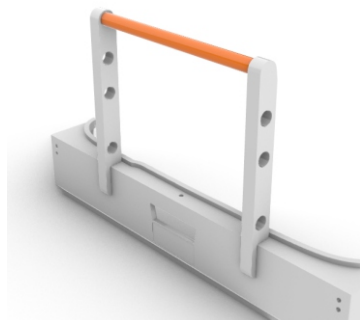
 - moving parts;

Bullbar + stoneguard for Aussie T610 SAR truck

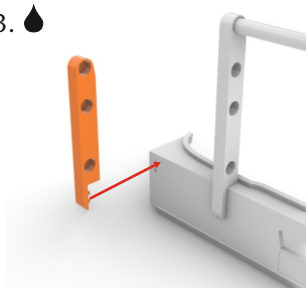
1.  x2



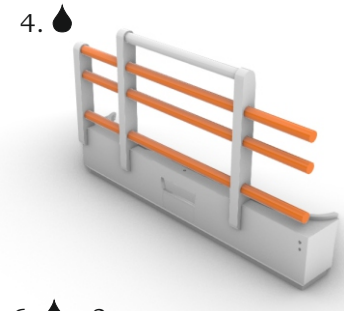
2. 



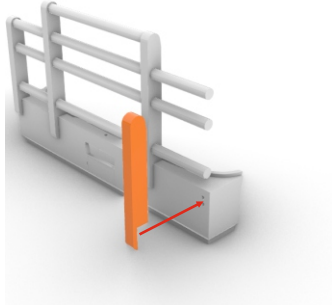
3. 



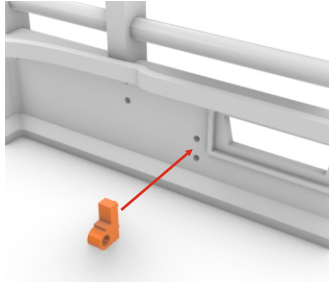
4. 



5. 



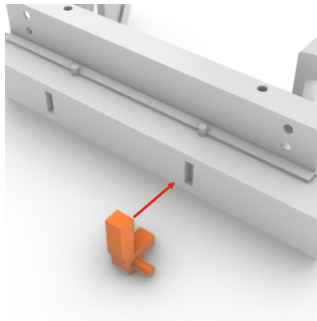
6.  x2



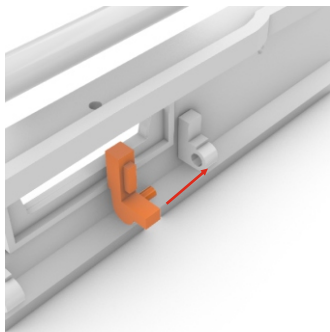
A&N Model Trucks, © 2019

Bullbar + stoneguard for Aussie T610 SAR truck

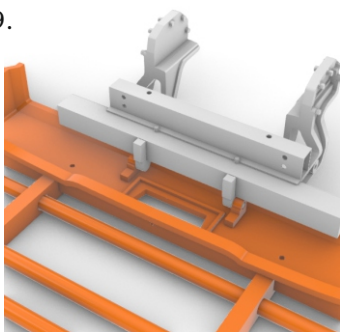
7. 



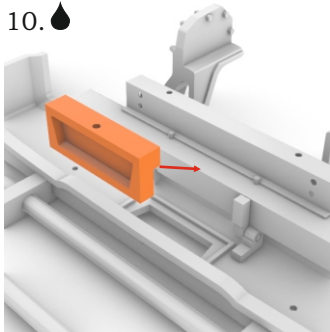
8. 



9.



10. 



A&N Model Trucks, © 2019