

Recovery truck body
for 5.5 ton truck.
Resin kit, 1/24

Warning!

This is the full resin kit; no donor kits required.

Read carefully this instruction and please follow it during assembling, otherwise you could face problems with assembling the model.

Photo-etched parts have sharp edges, please be careful.


This model kit contains very small parts and is not suitable for children.

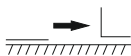
This model kit for advanced modellers only!

You can download this instruction as PDF-file at the our site at «Instructions» section.

Symbols:


 - glue parts;


 - do not glue parts;

 - bend parts;

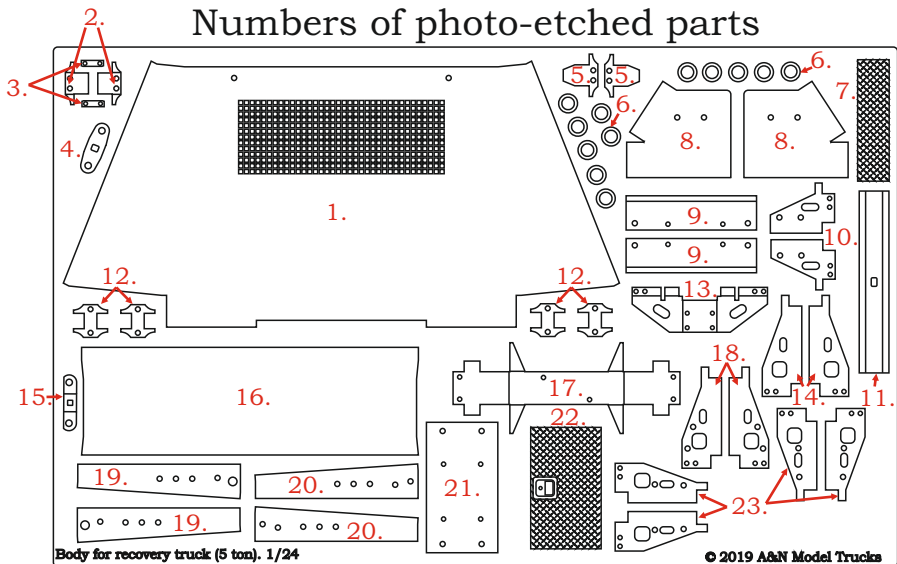
 - attention;

 - moving parts;

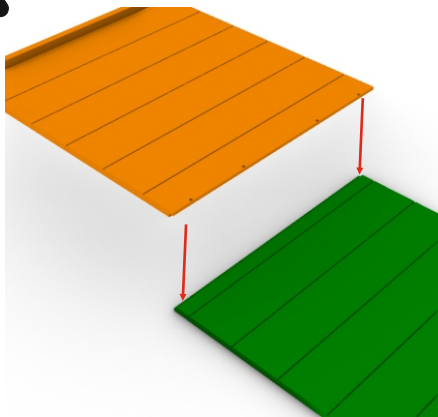
 - your choice;

 - cut;

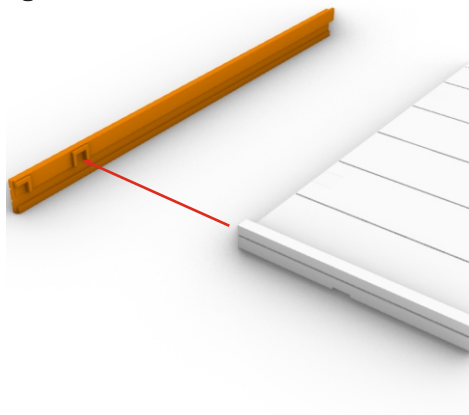
Numbers of photo-etched parts




1. 

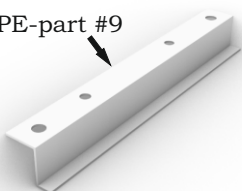


2. 

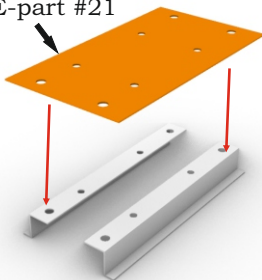


3.  x2

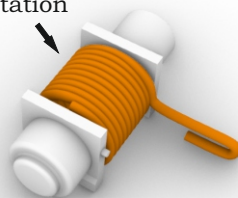
PE-part #9



4.  PE-part #21

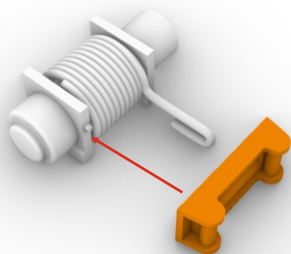


5. Use thread for imitation



Recovery truck body for 5.5 ton truck. Resin kit, 1/24

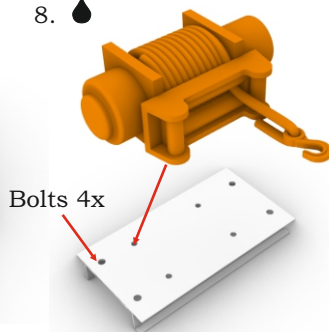
6. 



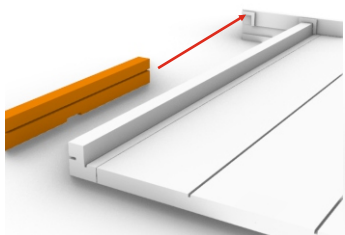
7. 



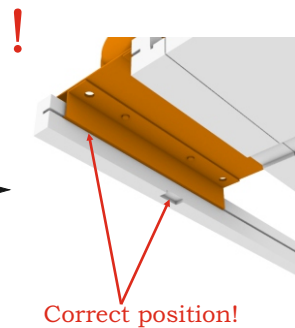
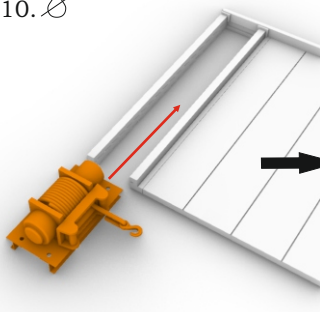
8. 



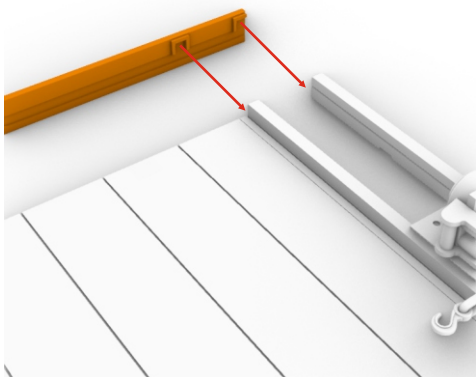
9. 



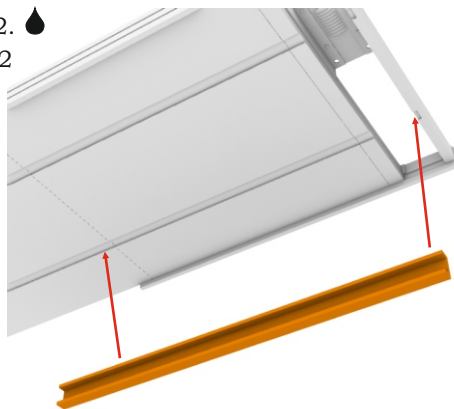
10. 



11. 

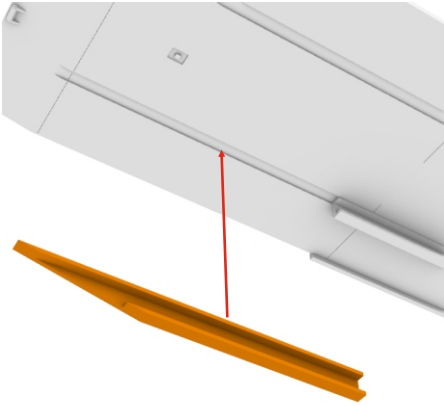


12. 
x2



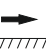
Recovery truck body for 5.5 ton truck. Resin kit, 1/24

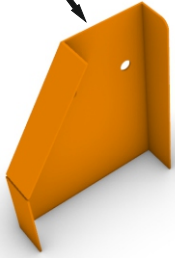
13.  x2



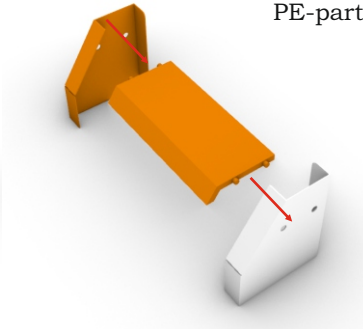
14.  x2




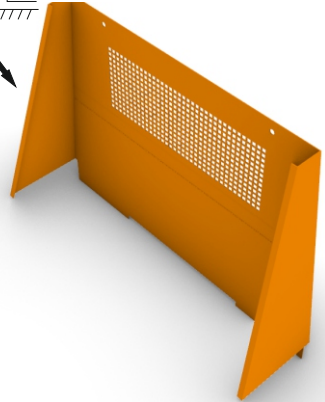
15.  x2
PE-part #8

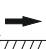


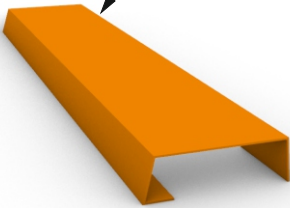
16. 



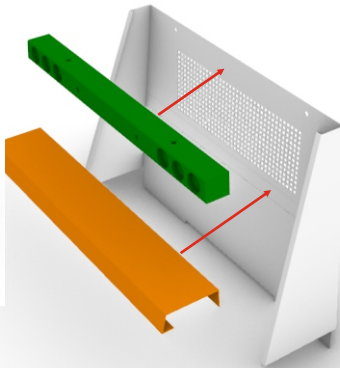
17.  PE-part #1



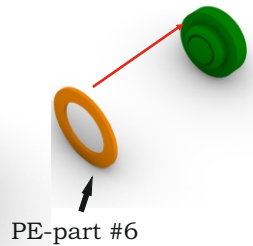
18.  PE-part #16



19. 



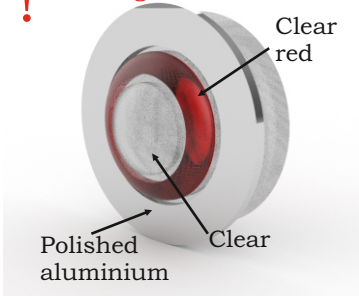
20.  x12



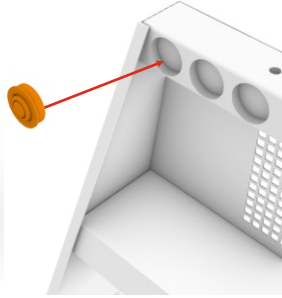
PE-part #6

Recovery truck body for 5.5 ton truck. Resin kit, 1/24

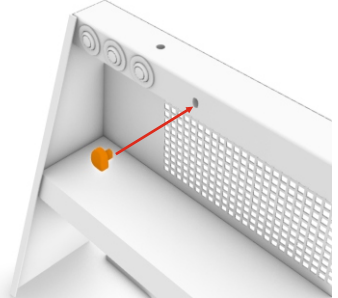
! **Painting scheme**



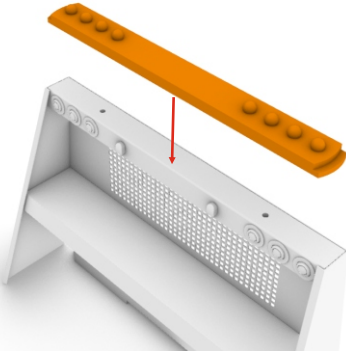
21.  x6



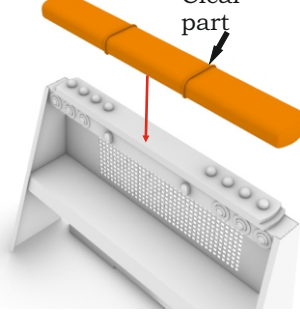
22.  x2



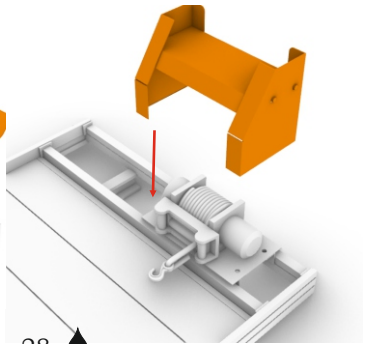
23. 



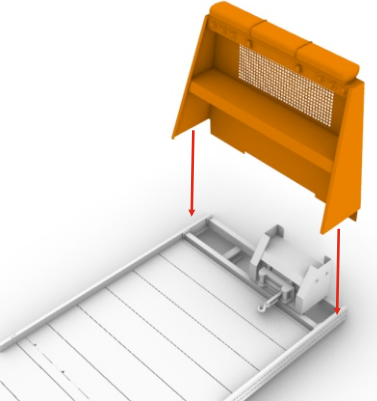
24. 



25. 



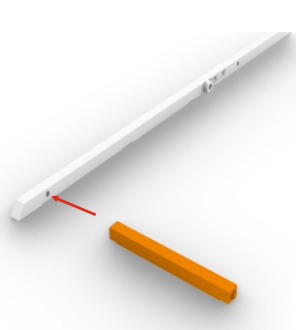
26. 



27.  x2

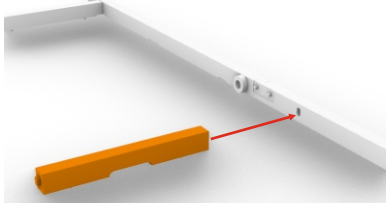


28. 

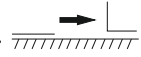


Recovery truck body for 5.5 ton truck. Resin kit, 1/24

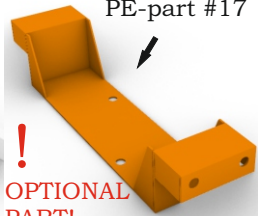
29. 



30.

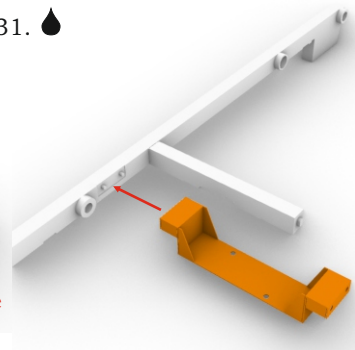


PE-part #17

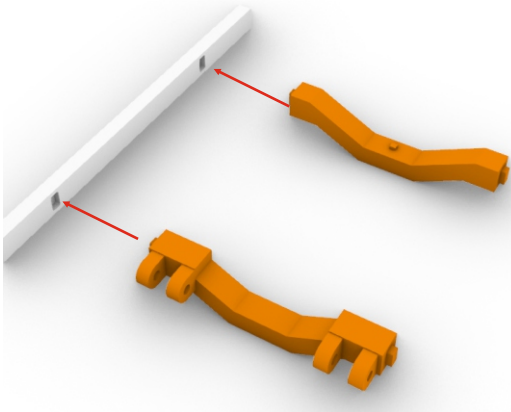


!
OPTIONAL PART!
If you don't plan to use wheel lift, jump on step #32

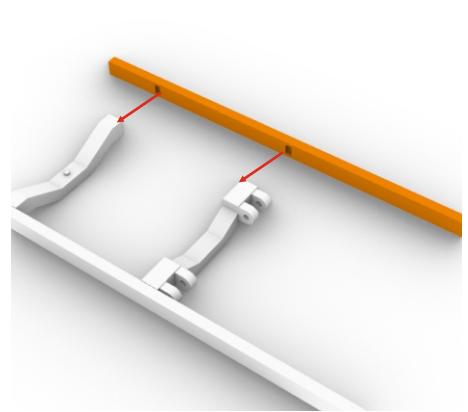
31. 



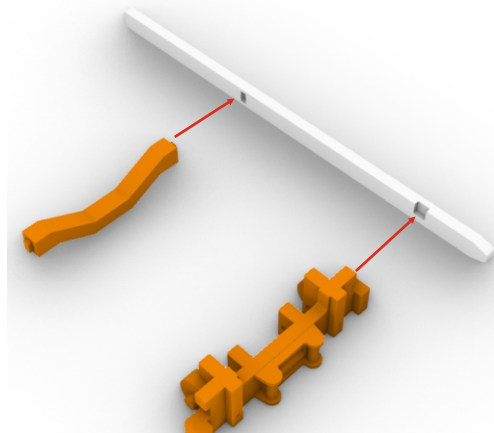
32. 



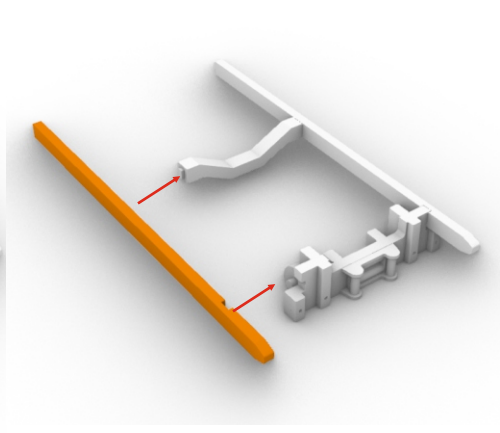
33. 



34. 

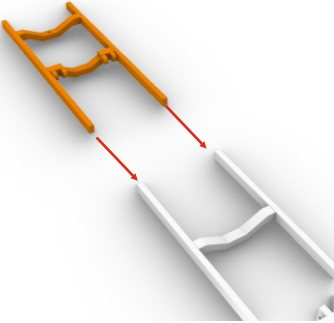


35. 

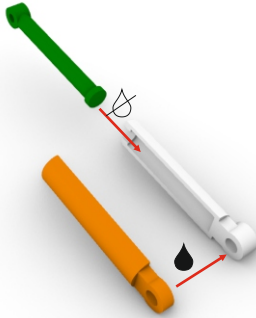


Recovery truck body for 5.5 ton truck. Resin kit, 1/24

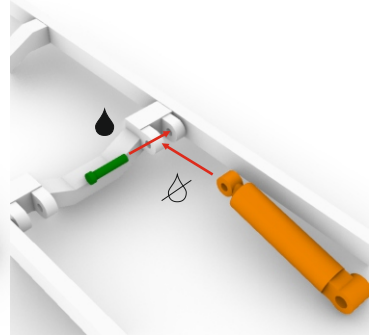
36. 



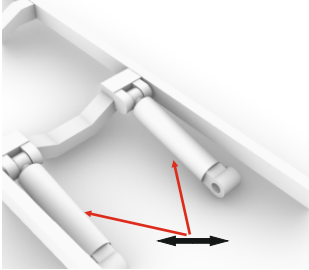
37. x2



38. x2



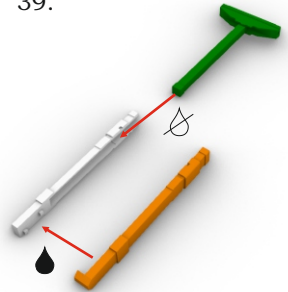
! Moving parts!



! OPTIONAL PART!

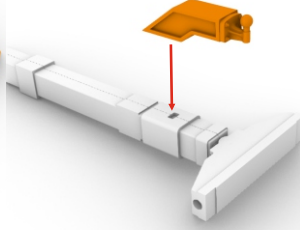
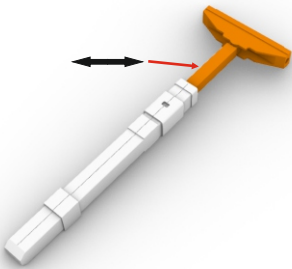
If you don't plan to use wheel lift, jump on step #53 on next page


39.

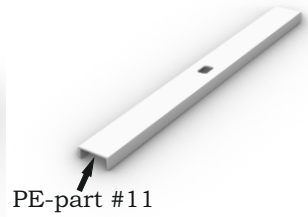


!

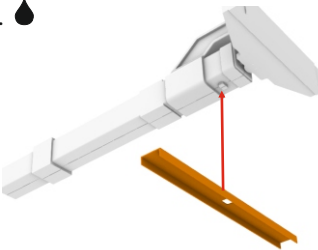
40. 



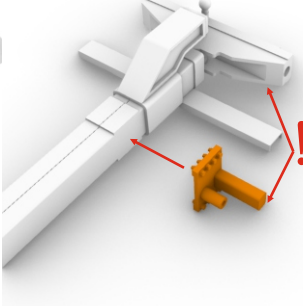
41. 



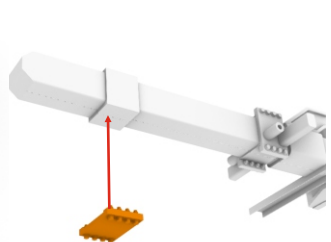
42. 



43.  x2

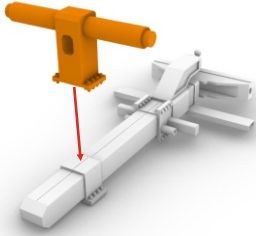


44. 

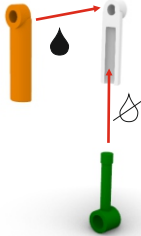


Recovery truck body for 5.5 ton truck. Resin kit, 1/24

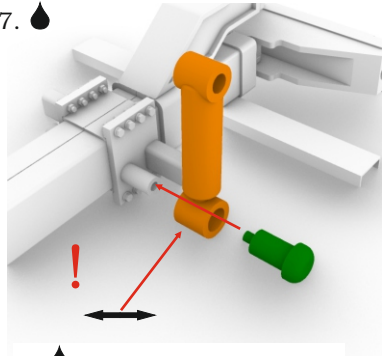
45. 




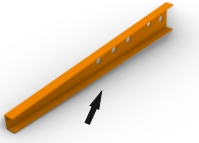
46. x2



47. 



48.  x2



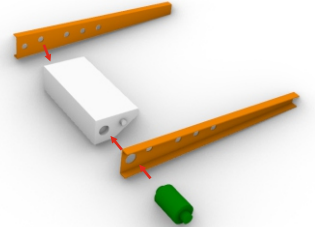
PE-part #20

49.  x2

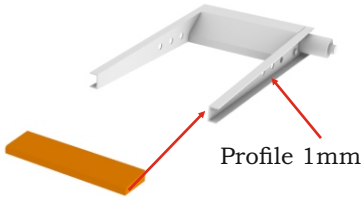


PE-part #19

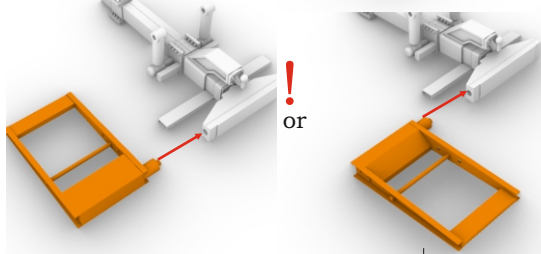
50.  x2




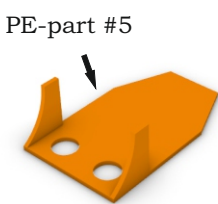
51.  x2



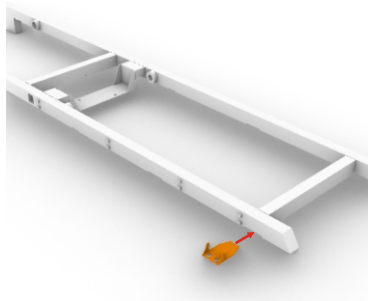
52.  x2




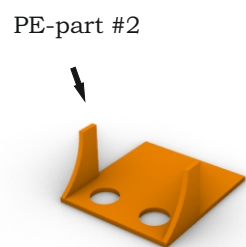
53.  x2



54.  x2

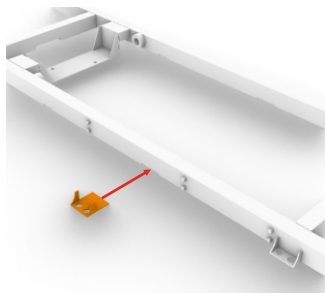


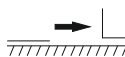
55.  x2

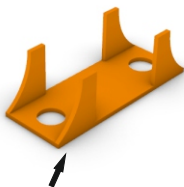


Recovery truck body for 5.5 ton truck. Resin kit, 1/24

56.  x2

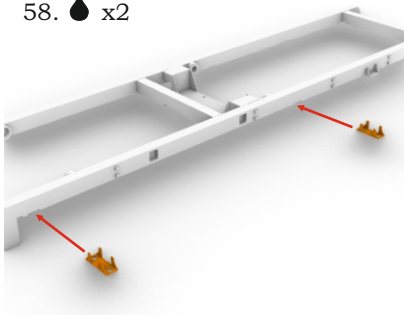


57.  x4

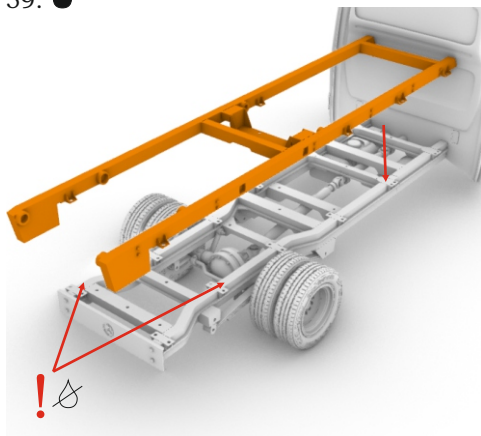


PE-part #12

58.  x2

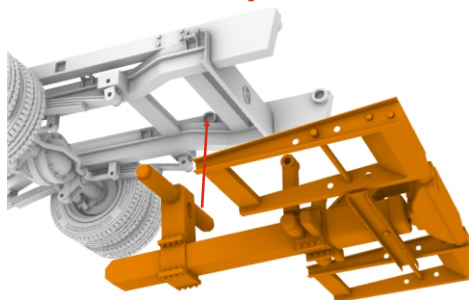


59. 

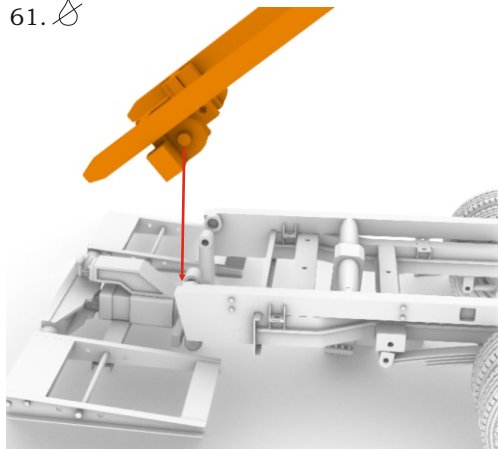


60. 

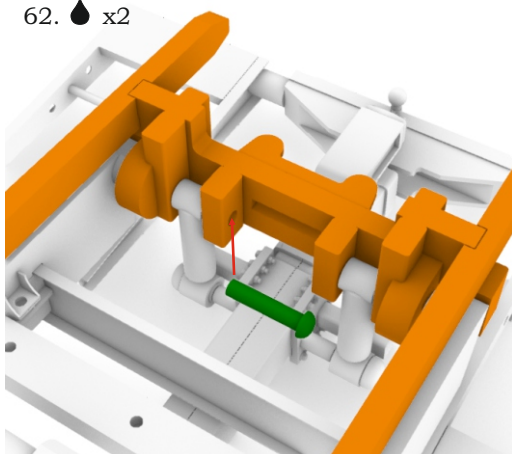
OPTIONAL PART!
If you don't plan to use wheel lift, proceed to next step



61. 

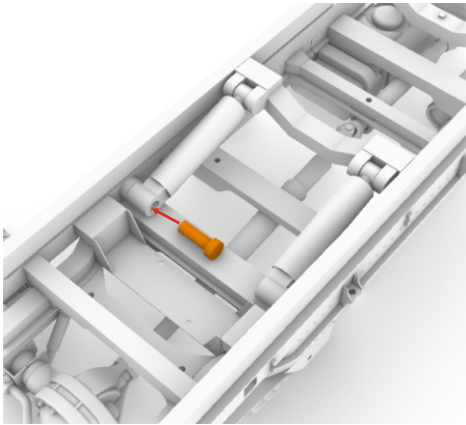


62.  x2

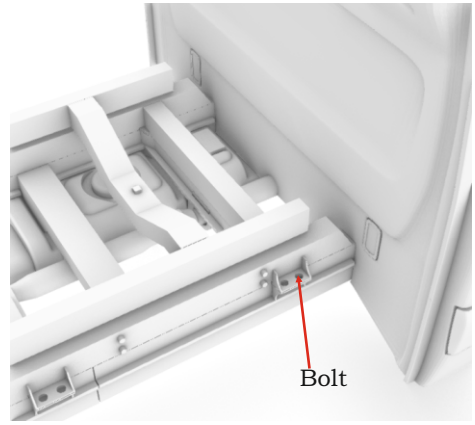


Recovery truck body for 5.5 ton truck. Resin kit, 1/24

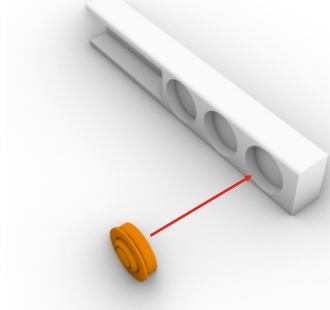
63.  x2



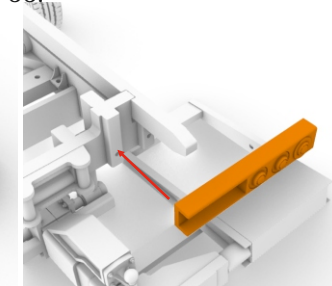
64.  x12



65.  x6



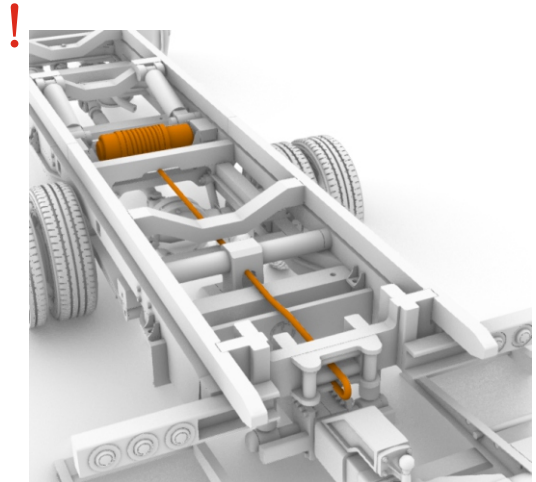
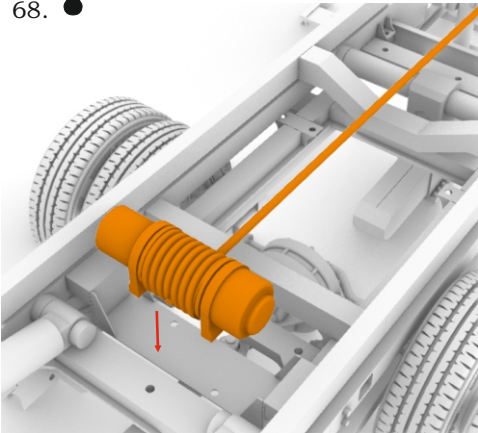
66.  x2



67.

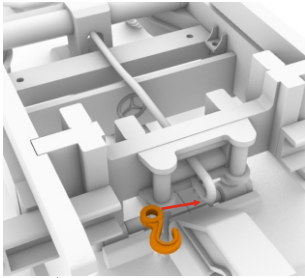


68. 

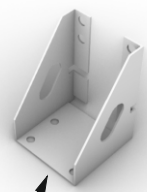


Recovery truck body for 5.5 ton truck. Resin kit, 1/24

69. 



70. 

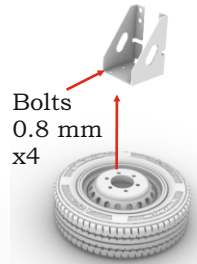


PE-part #13

71. 

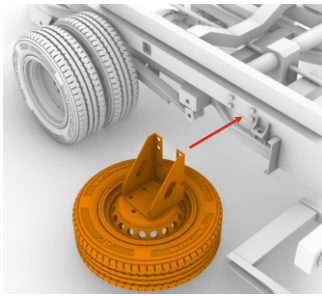


72. 

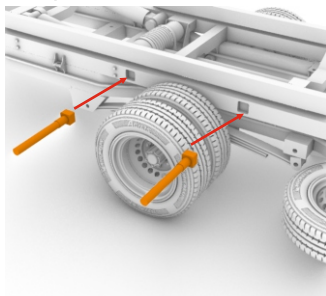


Bolts
0.8 mm
x4

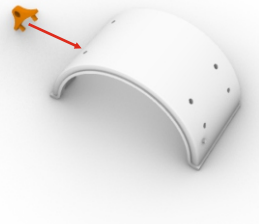
73. 



74.  x2



75.  x8

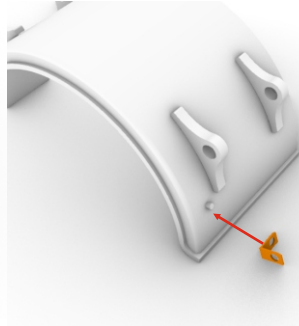


76.  x2

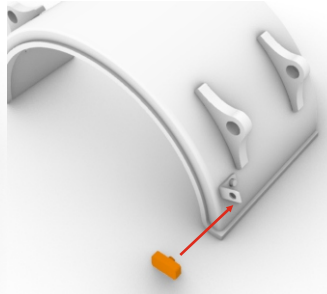


PE-part #3

77.  x2

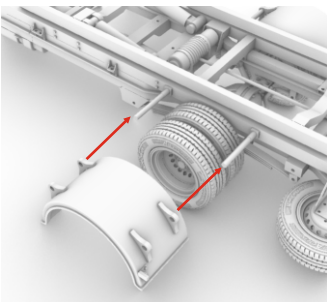


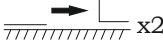
78.  x2

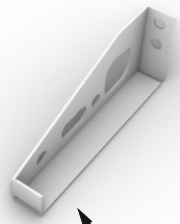


Clear part

79.  x2

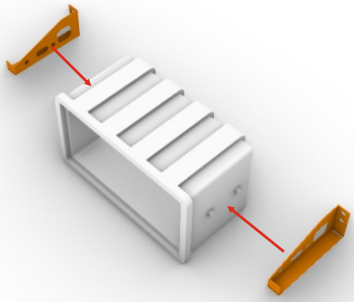


80.  x2



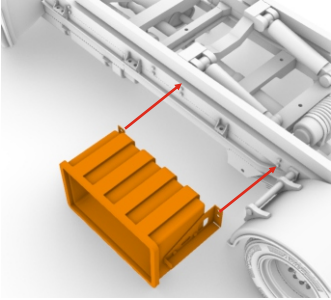
PE-part #23

81.  x2

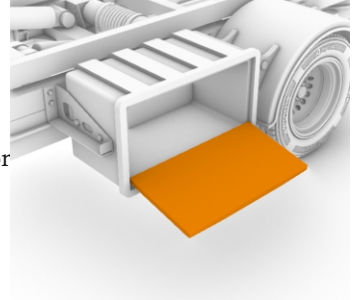
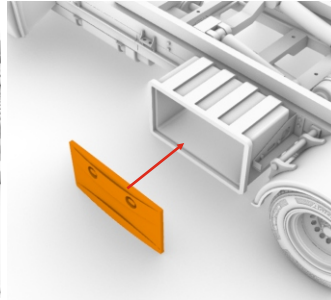



Recovery truck body for 5.5 ton truck. Resin kit, 1/24

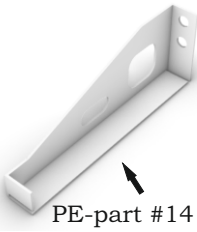
82.  x2



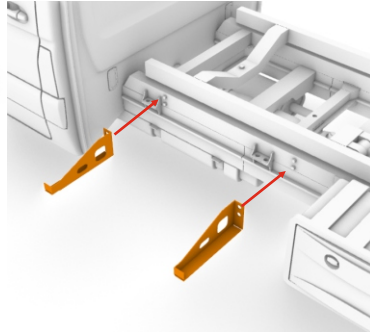
83.  x2



84.   x2

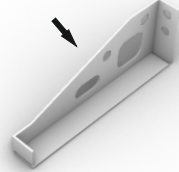


85. 

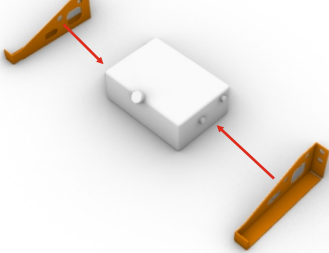


86.   x2

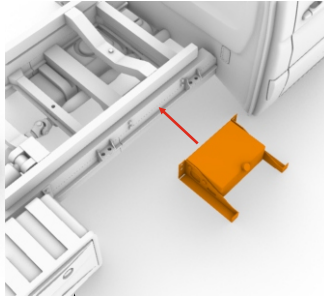
PE-part #18



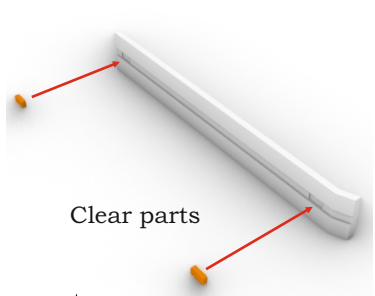
87. 



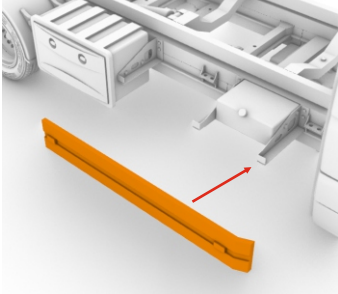
88. 



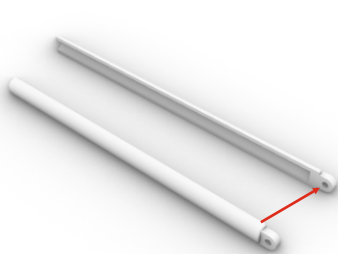
89.  x2



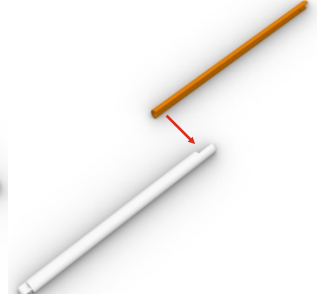
90.  x2



91. 

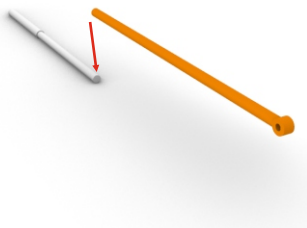


92. 



Recovery truck body for 5.5 ton truck. Resin kit, 1/24

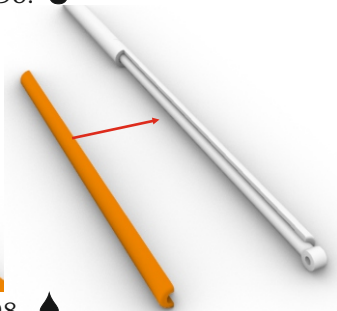
93. 




94. 



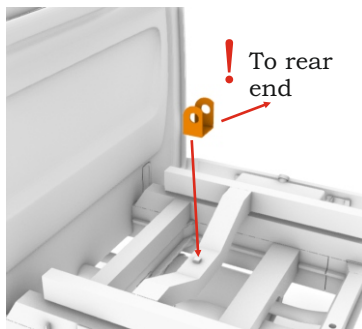
95. 



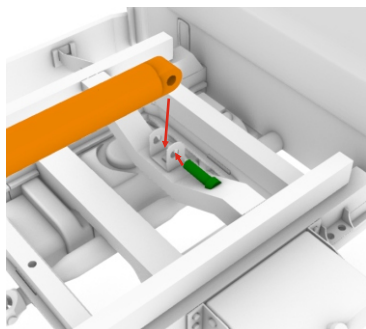
96. 



97. 



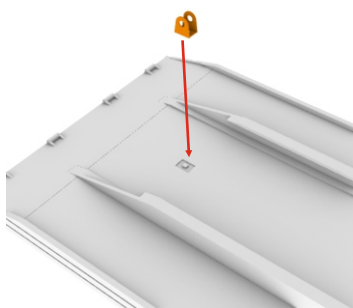
98. 



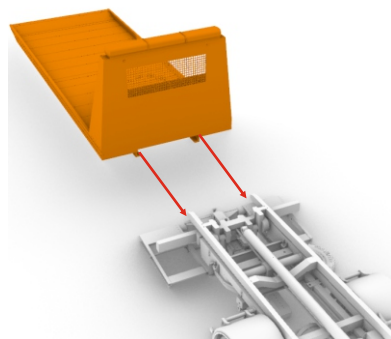
99. 



100. 



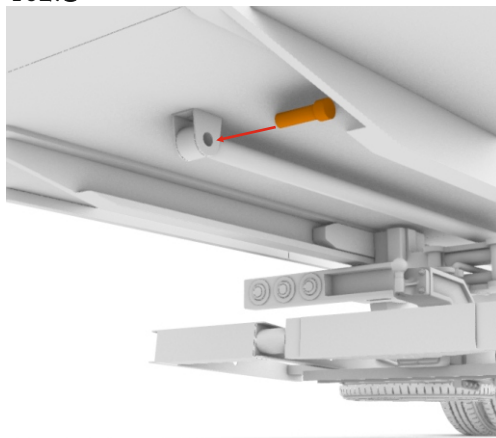
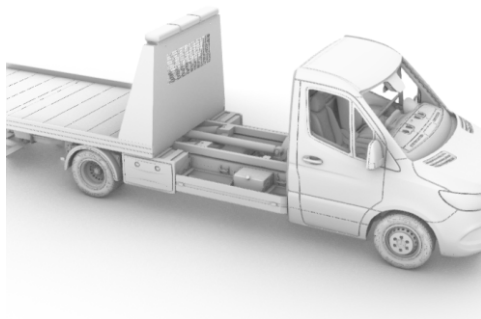
101. 



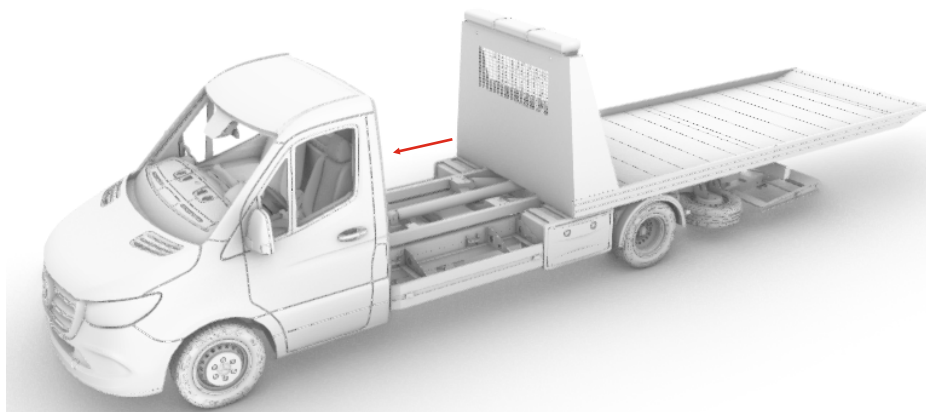
Recovery truck body for 5.5 ton truck. Resin kit, 1/24



102. 



103. 



Made in Latvia