

Bullbar + stoneguard
for Aussie K200 truck.
Additional kit, 1/24

Symbols:

 - glue parts;

 - do not glue parts;

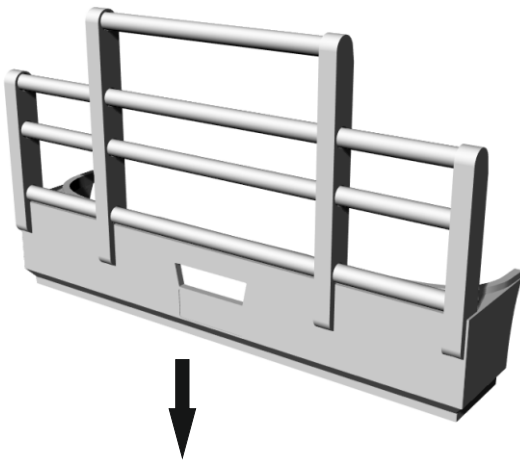
 - bend parts;

 - attention;

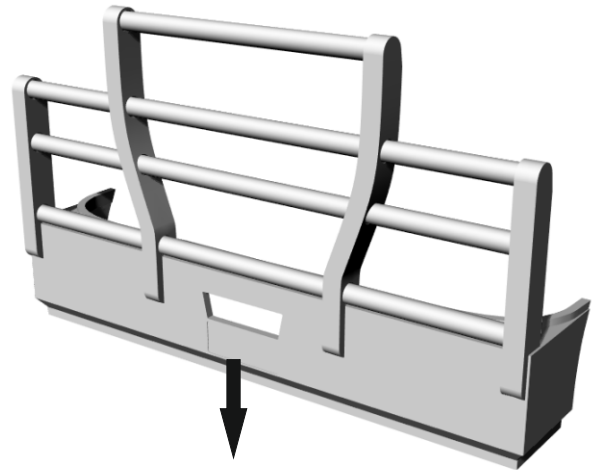
 - moving parts;

 - your choice;



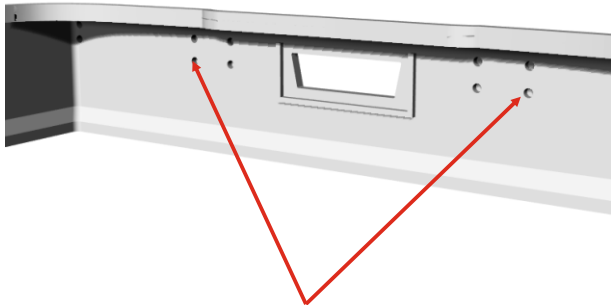


Version 1

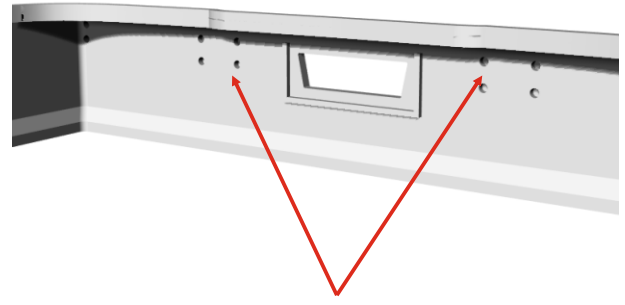


Version 2

Bullbar + stoneguard for Aussie K200 truck.

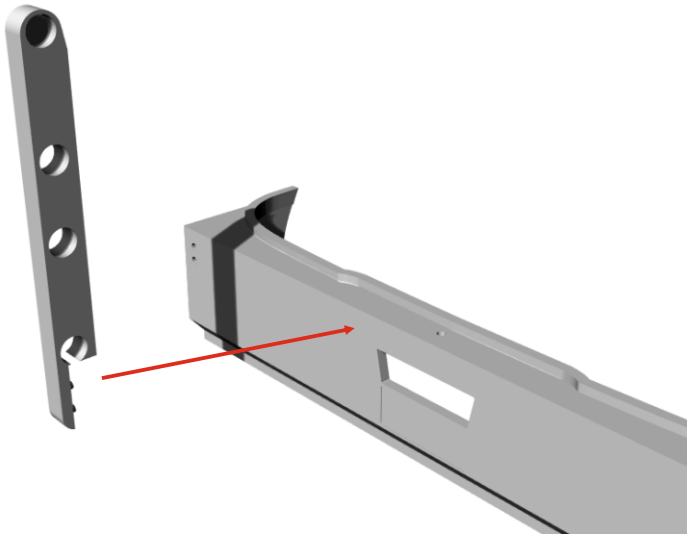


Version 1

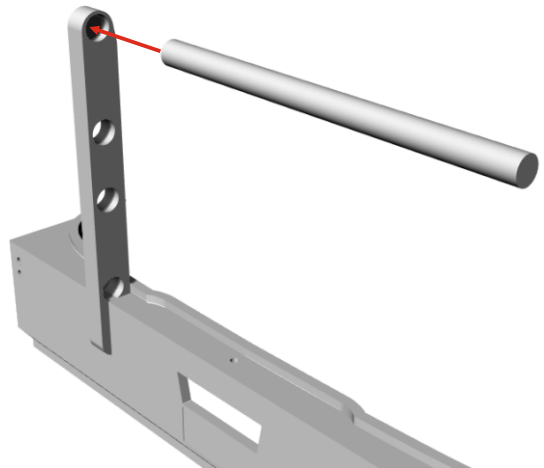



Version 2

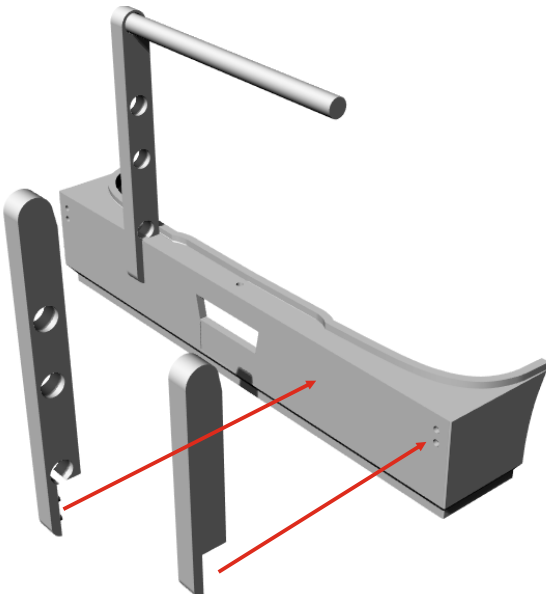
1. 



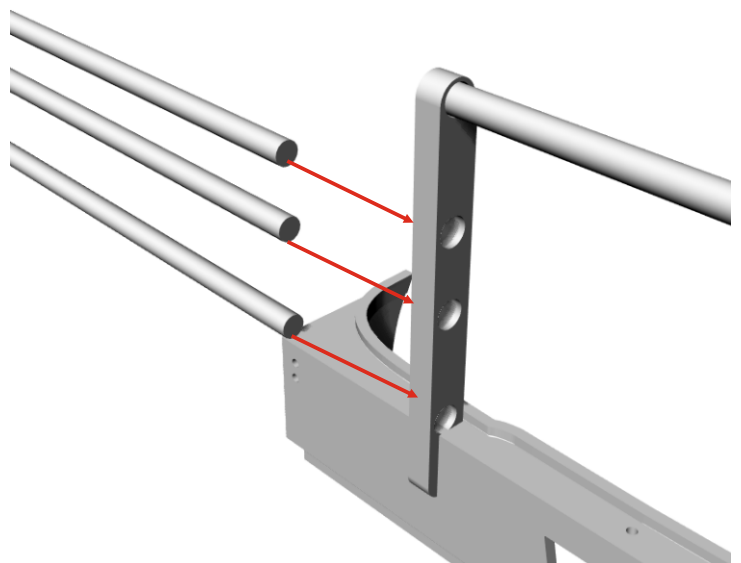
2. 



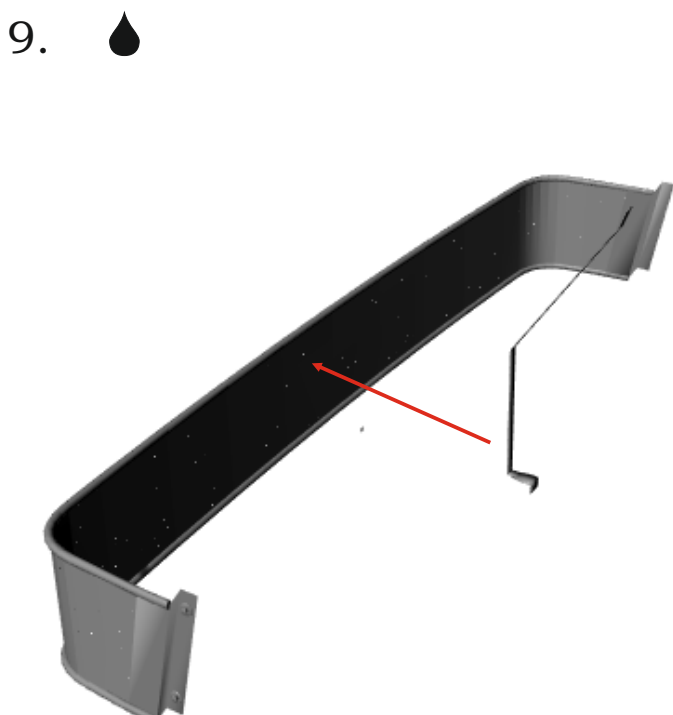
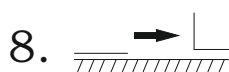
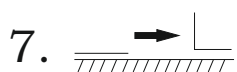
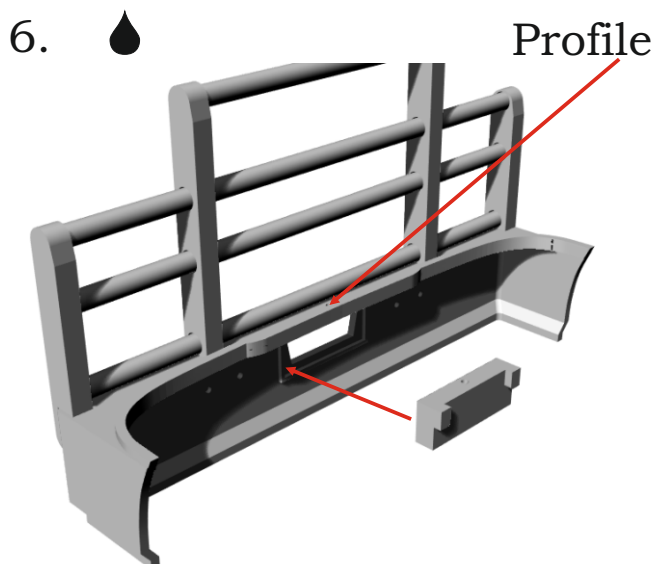
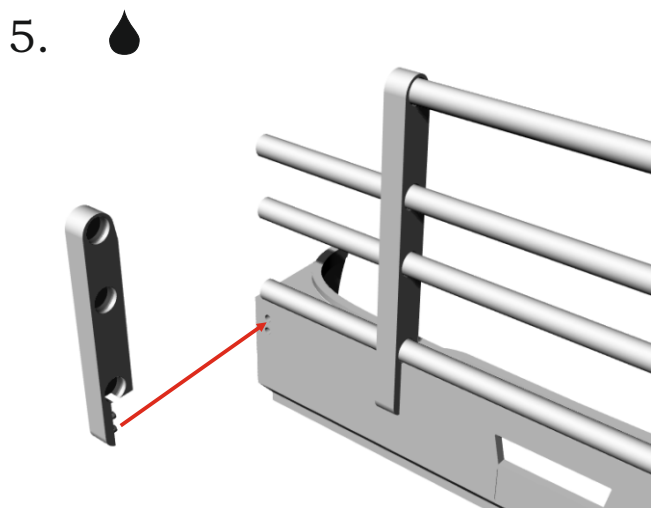
3. 



4. 



Bullbar + stoneguard for Aussie K200 truck.



! You can download this instruction as PDF-file at the our site at «Instructions» section. Or use this QR-code.

